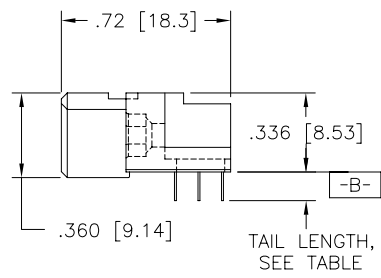
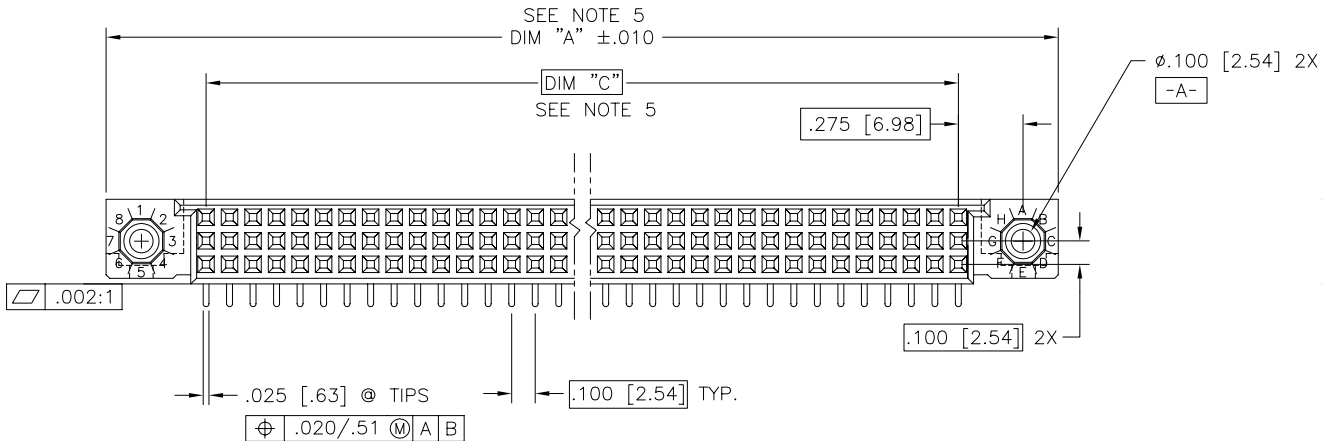
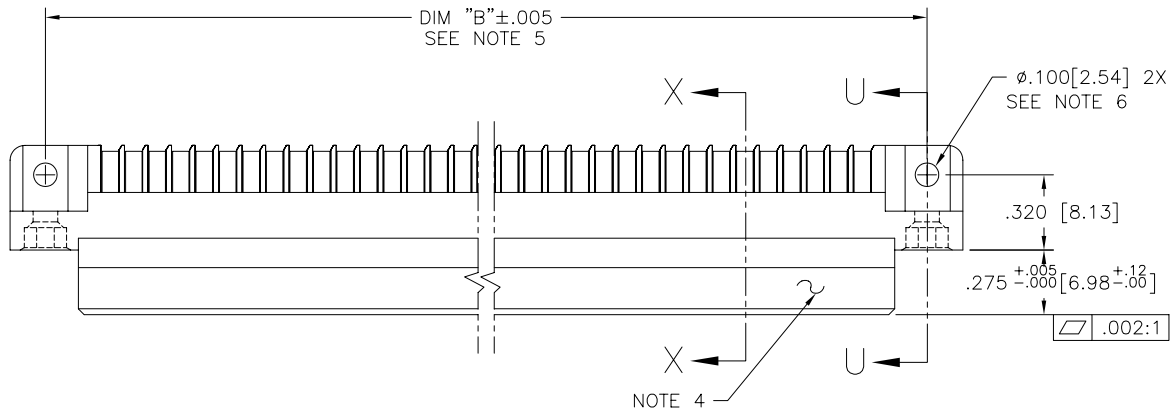


PRODUCT NUMBER  
SEE TABLE



.025 [.63] @ TIPS  
⊕ .020/.51 Ⓜ A B

mat'l. code NOTE 3		surface ISO 1302 ✓		tolerance ISO 406 ISO 1101		projection INCH/MM		product family HPC	
ltr	ecn no	dr	date	tolerances unless otherwise specified		INCH/MM		title	
H	v90624	HTB	3/8/99	angles	linear	.xx±.01/.3		3 ROW R/A RECEPTACLE	
J	v00254	JWS	1/13/00			.xxx±.005/.13		SOLDER TO BOARD, 0 G.P.	
K	v01300	HTB	4/13/00	0°±2'		.xxx±.0020/.051		scale 1:1	
L	v05-0895	DCH	9/20/05	dr	G.PETERS	6/5/96		dwg no	
M	v05-1052	DAI	11/17/05	enr	S.CLARK	6/3/95		sheet 1 of 5	
N	M06-0283	MHT	7/27/06	chr	S.CLARK	6/5/95		size 50294 A3	
P	M07-0099	AGS	2/09/07	appd	S.CLARK	6/5/95		type Product Customer Drawing	
sheet	revision	P	P	P	P	P	P		
index	sheet	1	2	3	4	5			



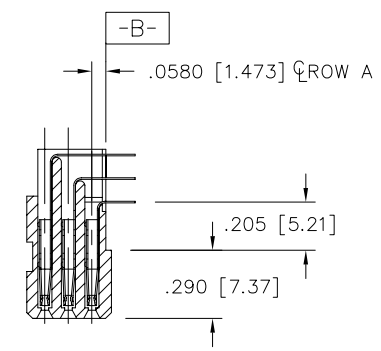
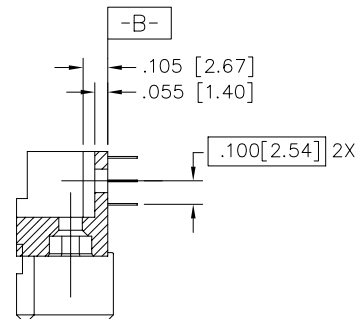
Copyright FCI

form: A3

PRODUCT NUMBER  
SEE TABLE

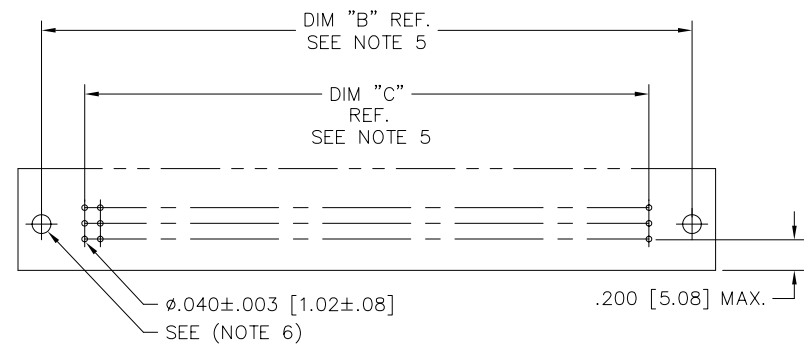
NOTES:

- ①. PRODUCT NUMBERING CODE:  
50294 - X YYY Z S LF
- LEAD FREE (OPTIONAL)
  - SPECIAL FEATURES (NOTE 6)
  - TAIL LENGTH (SEE TABLE)
  - NO. OF POSITIONS (NOTE 2)
  - PLATING (SEE TABLE)
  - BASE NUMBER
- ②. THIS PRODUCT IS CONFIGURED IN SIZES OF 6 thru 80 COLUMNS IN INCREMENTS OF ONE.  
i.e.: 6,7,8,9.....79,80.
- ③. HOUSING MATERIAL: GLASS & MINERAL FILLED HIGH-TEMP THERMOPLASTIC, FLAME RETARDANT PER UL94 V-0.  
CONTACT MATERIAL: BeCu
- ④. MANUFACTURE'S NAME, PART NUMBER AND LOT CODE TO APPEAR ON THIS SURFACE PER BUS-12-108.
- ⑤. LENGTH DIMENSION FORMULAS:  
DIM "A" =  $.100/2.54 \times \text{NO. OF COLUMNS} + .75/19.1$   
DIM "B" =  $.100/2.54 \times \text{NO. OF COLUMNS} + .450/11.43$   
DIM "C" =  $.100/2.54 \times \text{NO. OF COLUMNS} - .100/2.54$
- ⑥. SPECIAL FEATURES (SEE SHEET 3) AND TABLE.  
- = IF CODE IS OMITTED FROM PRODUCT NUMBER: CONNECTOR IS PROVIDED AS SHOWN, NO SPECIAL FEATURES ARE SELECTED. FOR P.C.B. ATTACHMENT IN A  $\phi.120[3.05]$  MOUNTING HOLE.  
"A" = IF SPECIFIED, PRE-INSTALLED CLAW FOR P.C.B. ATTACHMENT IN A  $\phi.100[2.54]$  MOUNTING HOLE. AVAILABLE IN "E" TAIL LENGTH ONLY.  
"B" = IF SPECIFIED, PRE-INSTALLED CLAW FOR P.C.B. ATTACHMENT IN A  $\phi.120[3.05]$  MOUNTING HOLE.  
"C" = IF SPECIFIED, MOLDED GUIDE PINS WITH PRE-INSTALLED CLAW FOR P.C.B. ATTACHMENT IN A  $\phi.120[3.05]$  MOUNTING HOLE.  
"D" = IF SPECIFIED, MOLDED GUIDE PINS WITH  $\phi.120[3.05]$  MOUNTING HOLE (NO CLAW).
- ⑦. CLAW DIMENSION DETERMINED BY P.C.B. HOLE DIAMETER.
8. THIS PRODUCT (WITH "LF" SUFFIX) MEETS EUROPEAN UNION DIRECTIVES AND OTHER COUNTRY REGULATIONS AS DESCRIBED IN GS-22-008.
9. THIS HOUSING WILL WITHSTAND EXPOSURE TO 260 DEGREES C PEAK TEMPERATURE FOR 10-30 SECONDS IN A CONVECTION, INFRA-RED OR VAPOR PHASE REFLOW OVEN.



SECTION U-U  
NO SPECIAL FEATURE

SECTION X-X



RECOMMENDED PCB LAYOUT  
(ALL HOLES LOCATED ON  $.100 [2.54]$  GRID UNLESS OTHERWISE SPECIFIED)

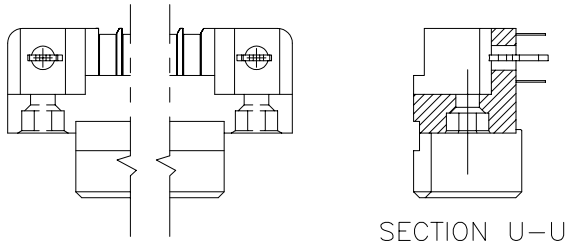
mat'l. code NOTE 3		surface ISO 1302 ✓	tolerance ISO 406 ISO 1101	projection INCH/MM	product family HPC
ltr	ecn	no	dr	date	tolerances unless otherwise specified
P					angles linear .XX±.01/.3 .XXX±.005/.13 .XXXX±.0020/.051
			dr	G.PETERS	6/5/96
			enr	S.CLARK	6/3/95
			chr	S.CLARK	6/5/95
			appd	S.CLARK	6/5/95
sheet index	revision sheet				
title 3 ROW R/A RECEPTACLE SOLDER TO BOARD, 0 G.P.					scale 1:1
dwg no 50294					sheet 2 of 5 size A3
type Product Customer Drawing					



Copyright FCI

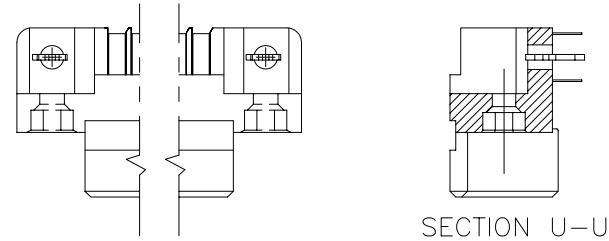
PRODUCT NUMBER

SEE TABLE



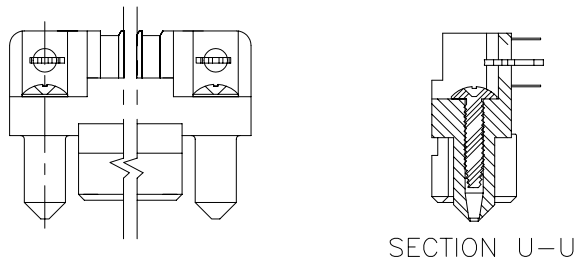
SPECIAL FEATURE OPTION "A"

SEE NOTE 6



SPECIAL FEATURE OPTION "B"

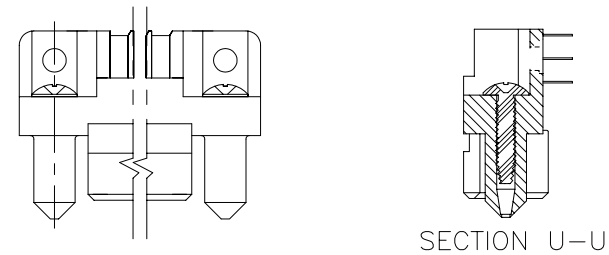
SEE NOTE 6



SECTION U-U

SPECIAL FEATURE OPTION "C"

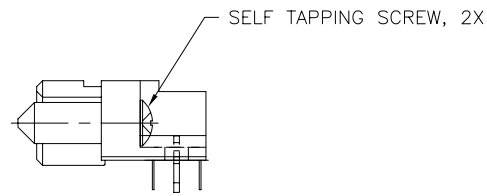
SEE NOTE 6



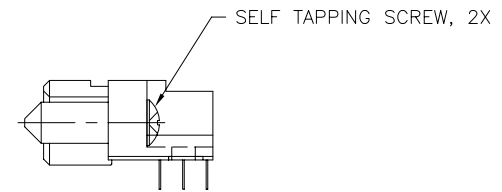
SECTION U-U

SPECIAL FEATURE OPTION "D"

SEE NOTE 6



SELF TAPPING SCREW, 2X



SELF TAPPING SCREW, 2X

SEE NOTE 7

mat'l. code		surface		tolerance		projection		product family		
NOTE 3		ISO 1302 ✓		ISO 406 ISO 1101				HPC		
ltr	ecn	no	dr	date		tolerances unless otherwise specified		title		
P						angles linear .XX±.01/.3 .XXX±.005/.13 .XXXX±.0020/.051		INCH/MM scale 1:1		
				dr	G.PETERS	6/5/96		3 ROW R/A RECEPTACLE SOLDER TO BOARD, 0 G.P.		
				enr	S.CLARK	6/3/95		dwg no sheet3 of 5 size		
				chr	S.CLARK	6/5/95		50294 A3		
				appd	S.CLARK	6/5/95		type Product Customer Drawing		
sheet	revision									
index	sheet									

PRODUCT NUMBER NOTE 1 AND 2	NUMBER OF POSITIONS SEE NOTE 2	TAIL LENGTH ±.010/0.25	SPECIAL FEATURES SEE NOTE 6	TAIL PLATING	CONTACT PLATING	PRODUCT NUMBER NOTE 1 AND 2	NUMBER OF POSITIONS SEE NOTE 2	TAIL LENGTH ±.010/0.25	SPECIAL FEATURES SEE NOTE 6	TAIL PLATING	CONTACT PLATING
50294-1YYYE	YYY	.125/3.18	NONE	TIN-LEAD	30μ"/0.76μ Au	50294-1YYYELF	YYY	.125/3.18	NONE	TIN	30μ"/0.76μ Au
50294-1YYYEA	YYY	.125/3.18	"A"		30μ"/0.76μ Au	50294-1YYYEALF	YYY	.125/3.18	"A"		30μ"/0.76μ Au
50294-1YYYEB	YYY	.125/3.18	"B"		30μ"/0.76μ Au	50294-1YYYEBLF	YYY	.125/3.18	"B"		30μ"/0.76μ Au
50294-1YYYEC	YYY	.125/3.18	"C"		30μ"/0.76μ Au	50294-1YYYECLF	YYY	.125/3.18	"C"		30μ"/0.76μ Au
50294-1YYYED	YYY	.125/3.18	"D"		30μ"/0.76μ Au	50294-1YYYEDLF	YYY	.125/3.18	"D"		30μ"/0.76μ Au
50294-1YYYF	YYY	.145/3.68	NONE		30μ"/0.76μ Au	50294-1YYYFLF	YYY	.145/3.68	NONE		30μ"/0.76μ Au
50294-1YYYFB	YYY	.145/3.68	"B"		30μ"/0.76μ Au	50294-1YYYFBLF	YYY	.145/3.68	"B"		30μ"/0.76μ Au
50294-1YYYFC	YYY	.145/3.68	"C"		30μ"/0.76μ Au	50294-1YYYFCLF	YYY	.145/3.68	"C"		30μ"/0.76μ Au
50294-1YYYFD	YYY	.145/3.68	"D"		30μ"/0.76μ Au	50294-1YYYFDLF	YYY	.145/3.68	"D"		30μ"/0.76μ Au
50294-1YYYH	YYY	.180/4.57	NONE		30μ"/0.76μ Au	50294-1YYYHLF	YYY	.180/4.57	NONE		30μ"/0.76μ Au
50294-1YYYHB	YYY	.180/4.57	"B"		30μ"/0.76μ Au	50294-1YYYHBLF	YYY	.180/4.57	"B"		30μ"/0.76μ Au
50294-1YYYHC	YYY	.180/4.57	"C"		30μ"/0.76μ Au	50294-1YYYHCLF	YYY	.180/4.57	"C"		30μ"/0.76μ Au
50294-1YYYHD	YYY	.180/4.57	"D"		30μ"/0.76μ Au	50294-1YYYHDLF	YYY	.180/4.57	"D"		30μ"/0.76μ Au
50294-3YYYE	YYY	.125/3.18	NONE		50μ"/1.27μ Au	50294-3YYYELF	YYY	.125/3.18	NONE		50μ"/1.27μ Au
50294-3YYYEA	YYY	.125/3.18	"A"		50μ"/1.27μ Au	50294-3YYYEALF	YYY	.125/3.18	"A"		50μ"/1.27μ Au
50294-3YYYEB	YYY	.125/3.18	"B"		50μ"/1.27μ Au	50294-3YYYEBLF	YYY	.125/3.18	"B"		50μ"/1.27μ Au
50294-3YYYEC	YYY	.125/3.18	"C"		50μ"/1.27μ Au	50294-3YYYECLF	YYY	.125/3.18	"C"		50μ"/1.27μ Au
50294-3YYYED	YYY	.125/3.18	"D"		50μ"/1.27μ Au	50294-3YYYEDLF	YYY	.125/3.18	"D"		50μ"/1.27μ Au
50294-3YYYF	YYY	.145/3.68	NONE		50μ"/1.27μ Au	50294-3YYYFLF	YYY	.145/3.68	NONE		50μ"/1.27μ Au
50294-3YYYFB	YYY	.145/3.68	"B"		50μ"/1.27μ Au	50294-3YYYFBLF	YYY	.145/3.68	"B"		50μ"/1.27μ Au
50294-3YYYFC	YYY	.145/3.68	"C"		50μ"/1.27μ Au	50294-3YYYFCLF	YYY	.145/3.68	"C"		50μ"/1.27μ Au
50294-3YYYFD	YYY	.145/3.68	"D"		50μ"/1.27μ Au	50294-3YYYFDLF	YYY	.145/3.68	"D"		50μ"/1.27μ Au
50294-3YYYH	YYY	.180/4.57	NONE		50μ"/1.27μ Au	50294-3YYYHLF	YYY	.180/4.57	NONE		50μ"/1.27μ Au
50294-3YYYHB	YYY	.180/4.57	"B"		50μ"/1.27μ Au	50294-3YYYHBLF	YYY	.180/4.57	"B"		50μ"/1.27μ Au
50294-3YYYHC	YYY	.180/4.57	"C"		50μ"/1.27μ Au	50294-3YYYHCLF	YYY	.180/4.57	"C"		50μ"/1.27μ Au
50294-3YYYHD	YYY	.180/4.57	"D"	TIN-LEAD	50μ"/1.27μ Au	50294-3YYYHDLF	YYY	.180/4.57	"D"	TIN	50μ"/1.27μ Au

TABLE CONTINUED ON SHEET 5



FCIconnect.com

Copyright FCI

mat'l. code NOTE 3		surface ISO 1302 ✓		tolerance ISO 406 ISO 1101		projection 		product family HPC	
ltr	ecn	no	dr	date		tolerances unless otherwise specified		title	
P						angles	linear	INCH/MM	
						0°±2'	.xx±.01/.3	3 ROW R/A RECEPTACLE	
							.xxx±.005/.13	SOLDER TO BOARD, 0 G.P.	
							.xxxx±.0020/.051	scale 1:1	
			dr	G.PETERS	6/5/96			dwg no	
			enr	S.CLARK	6/3/95			sheet 4 of 5	
			chr	S.CLARK	6/5/95			50294	
			appd	S.CLARK	6/5/95			A3	
sheet index		revision sheet						type Product Customer Drawing	

form: A3

PRODUCT NUMBER NOTE 1 AND 2	NUMBER OF POSITIONS SEE NOTE 2	TAIL LENGTH ±.010/0.25	SPECIAL FEATURES SEE NOTE 6	TAIL PLATING	CONTACT PLATING
50294-5YYYE	YYY	.125/3.18	NONE	TIN/LEAD	30μ"/0.76μ GXT
50294-5YYYELF	YYY	.125/3.18	NONE	TIN	
50294-5YYYEA	YYY	.125/3.18	"A"	TIN/LEAD	
50294-5YYYEALF	YYY	.125/3.18	"A"	TIN	
50294-5YYYEB	YYY	.125/3.18	"B"	TIN/LEAD	
50294-5YYYEBLF	YYY	.125/3.18	"B"	TIN	
50294-5YYYEC	YYY	.125/3.18	"C"	TIN/LEAD	
50294-5YYYECLF	YYY	.125/3.18	"C"	TIN	
50294-5YYYED	YYY	.125/3.18	"D"	TIN/LEAD	
50294-5YYYEDLF	YYY	.125/3.18	"D"	TIN	
50294-5YYYF	YYY	.145/3.68	NONE	TIN/LEAD	
50294-5YYYFLF	YYY	.145/3.68	NONE	TIN	
50294-5YYYFB	YYY	.145/3.68	"B"	TIN/LEAD	
50294-5YYYFBLF	YYY	.145/3.68	"B"	TIN	
50294-5YYYFC	YYY	.145/3.68	"C"	TIN/LEAD	
50294-5YYYFCLF	YYY	.145/3.68	"C"	TIN	
50294-5YYYFD	YYY	.145/3.68	"D"	TIN/LEAD	
50294-5YYYFDLF	YYY	.145/3.68	"D"	TIN	
50294-5YYYH	YYY	.180/4.57	NONE	TIN/LEAD	
50294-5YYYHLF	YYY	.180/4.57	NONE	TIN	
50294-5YYYHB	YYY	.180/4.57	"B"	TIN/LEAD	
50294-5YYYHBLF	YYY	.180/4.57	"B"	TIN	
50294-5YYYHC	YYY	.180/4.57	"C"	TIN/LEAD	
50294-5YYYHCLF	YYY	.180/4.57	"C"	TIN	
50294-5YYYHD	YYY	.180/4.57	"D"	TIN/LEAD	
50294-5YYYHDLF	YYY	.180/4.57	"D"	TIN	30μ"/0.76μ GXT



Copyright FCI

mat'l. code NOTE 3		surface ISO 1302 ✓	tolerance ISO 406 ISO 1101	projection 	product family HPC
ltr	ecn	no	dr	date	tolerances unless otherwise specified
P					angles linear .XX±.01/.3 .xxx±.005/.13 INCH/MM
					0°±2' .xxxx±.0020/.051 scale 1:1
			dr	G.PETERS	6/5/96
			enr	S.CLARK	6/3/95
			chr	S.CLARK	6/5/95
			appd	S.CLARK	6/5/95
sheet index		revision sheet			

title		3 ROW R/A RECEPTACLE SOLDER TO BOARD, 0 G.P.	
dwg no	50294	sheet	5 of 5
size	A3		
type		Product Customer Drawing	